

# MANUAL CONTROL VALVE

## FAF 7530

7530



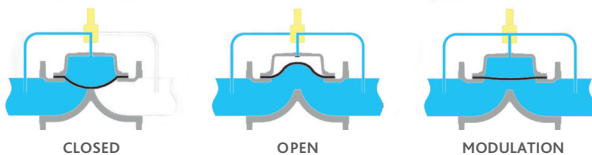
### Features

- Minimum pressure loss
- Adjustable isolating rate (optional)
- Easy maintenance
- Control in different voltages
- Easy and zero adjustment to demanded pressure
- Does not require maintenance in operation for a long time due to its corrosion resistant components.
- Has a long working life in operation since coating has been made with phosphorization and over-dried epoxy powder paint.
- Performs perfect modulation in variable flows and even too low flow rates close to zero.
- Has a wide range of application with use of different pilot valves.

### Temperature

- -10 °C +80 °C

### Working Principle



### PRODUCTION STANDARTS

DN50 → DN300

<b>Operation Pressure</b>	0,7 - 16 bar (10 - 240 psi)
<b>Connection</b>	Flanged EN1092-2 Threaded ISO (BSP) - ANSI (NPT)
<b>Corrosion Protection</b>	Polyester Epoxy

### Product Description

FAF7530 Manual Control Valve manual isolating valves can be substituted for classic isolating valves. The three-way small globe valve connected to the main valve carries out on/off process.

### Adjustment

- Connect the cable of solenoid coil to the panel. Move the three-way globe valve to automatic mode. Drain water to the system.

### Scope of Application

- Agricultural irrigation
- Supply of water fire extinguishing
- Various applications of industrial systems.
- Oil & gas applications
- Household implementation

### Note

- For proper use and safety precautions please follow the installation and operating instructions.

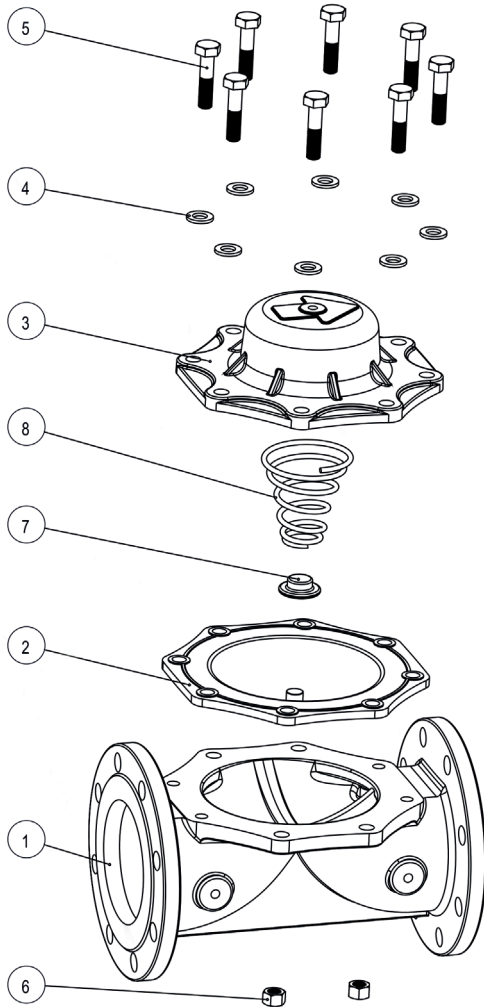
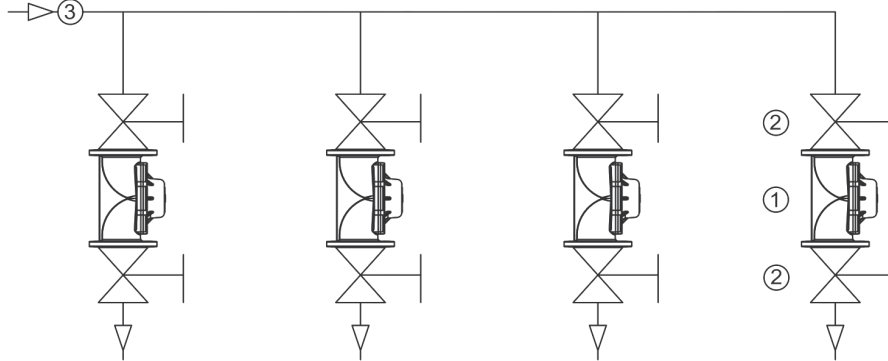
# MANUAL CONTROL VALVE

## FAF 7530

7530



### Model Application



NO	PARTS
1	Electrically Operated Hydraulic Valve
2	Insulating Valve
3	Control Panel
4	Mainline

CONTROL VALVES MODEL CODES	
FAF 7410	Pressure Reducing Control Valve
FAF 7420	Solenoid Controlled Pressure Reducing Control Valve
FAF 7430	Pressure Sustaining Control Valve
FAF 7440	Pressure Sustaining - Pressure Reducing Control Valve
FAF 7450	Pressure Relief Control Valve
FAF 7460	Float Level Control Valve
FAF 7470	Electric Float Level Control Valve
FAF 7480	Surge Anticipating Control Valve
FAF 7490	Flow Control Valve
FAF 7500	Horizontal Pump Control Valve
FAF 7510	Vertical Pump Control Valve
FAF 7520	Solenoid Control Valve
FAF 7530	Manual Control Valve

NO	ITEM	MATERIALS
1	BODY	EN-GJL-250 CAST IRON (GG25)
2	DIAPHRAM	COURT FABRIC-REINFORCED NATURAL RUBBER
3	COVER	EN-GJL-250 CAST IRON (GG25)
4	WASHER	PLATED STEEL
5	BOLT	PLATED STEEL
6	NUT	PLATED STEEL
7	SPRING THRUST RING	POLYAMID
8	SPRING	SST 302

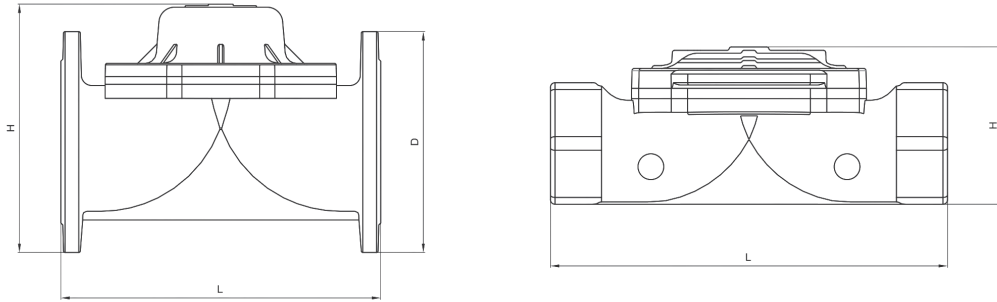
VALVE TEST PRESSURE (Bar)		
MAX. OPERATING PRESSURE	BODY / SHELL TEST	SEAT TEST
16	24	17,6
100% of the valves are subjected to leakiness tests at FAF facilities.		



# MANUAL CONTROL VALVE

## FAF 7530

### Dimensions And Weight



### Flanged Valves

DN		L		D		H		WEIGHT	
inch	mm	inch	mm	inch	mm	inch	mm	lbs	kg
2"	50	8	204	6.4	165	6.4	165	33	15
2½"	65	8.1	206	7.2	185	7.2	185	36	16.5
3"	80	11.4	290	7.8	200	7.8	200	57	26
4"	100	11.6	296	8.6	220	8.6	220	61	28
5"	125	12.3	314	9.8	250	9.8	250	72	33
6"	150	16.2	413	11.2	285	12.6	321	125	57
8"	200	18.5	470	13.3	340	18.8	403	187	85
10"	250	18.5	470	16	407	17	433	226	103
12"	300	20.8	530	18.3	466	19.5	497	316	145

### Threaded Valves

DN		L		H		WEIGHT	
inch	mm	inch	mm	inch	mm	lbs	kg
2"	50	8.1	206	4.2	107	28.6	13
2½"	65	9	230	4.3	110	30.8	14
3"	80	13.7	350	5.7	145	44	20

### Suggested Operating Values

Operating Pressure	Standard	0,7 - 16 bar (10 - 240 psi)
Temperature	Minimum Operating Temperature	-10°C
	Maximum Operating Temperature	+80°C
Connection	Flanged	EN1092-2 ISO 7005-2
	Threaded	ISO (BSP) - ANSI (NPT)
Coating	Standard	Polyester
	Optional	Epoxy