

# EXTENSION SPINDLE & SURFACE BOX SET

## FAF7250



7250



### Features

- The extension spindle is made of ST37 steel, spindle protector is made of PE, surface box is made of cast iron. It can be manufactured as project requirement.
- FAF 7250 manufactured with St 37 steel and PE protection. Rigid and telescopic types are available.
- FAF 7250K manufactured with ductile iron. Can fit to any type of valve.
- Telescopic size range, the height can be set at any length in the size range 45-70 cm
- Extension spindle for gate valves for water, neutral liquids and gas.
- Rigid type is also available.

### Product Description

FAF7250 Extension Spindle Set is used for control valves installed underground from above ground. Surface box kit is made of protected extension spindle, interconnect components and surface box.

### Versions

- Standard version with handlever
- Custom production for specific orders

### Scope of Application

- Fire protection
- Steam
- Hot & cold water
- Potable Water
- Superheated Water
- Gas Networks
- Chemicals
- Pressurized Air

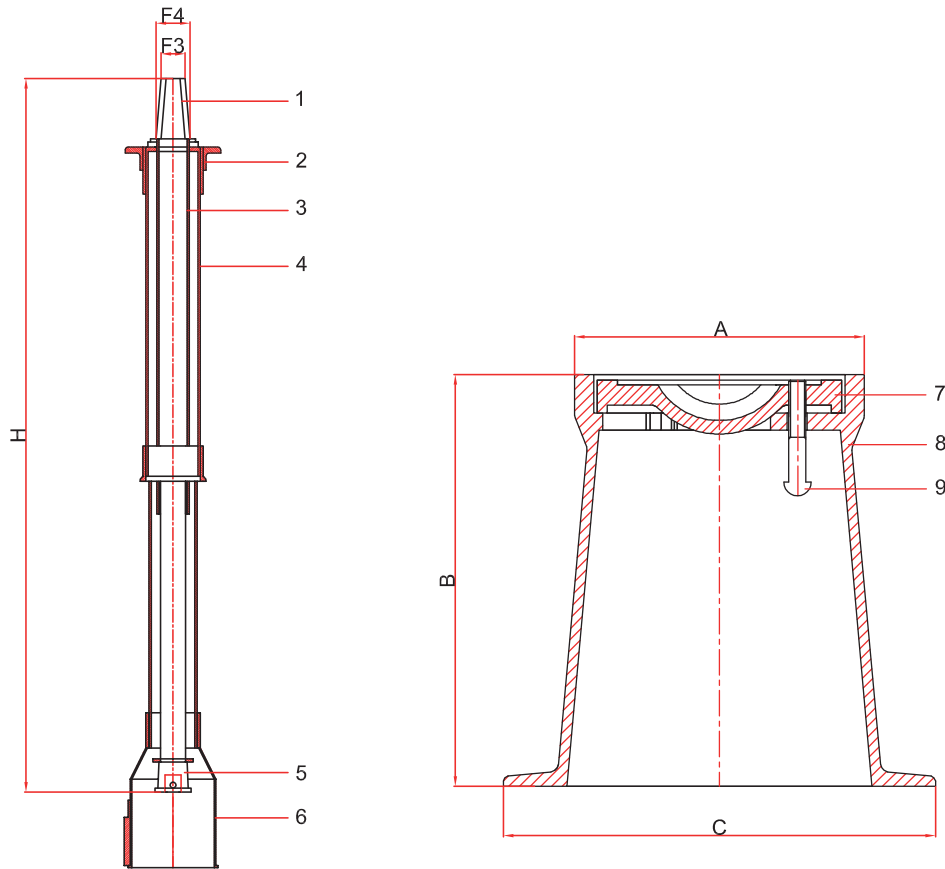
### PRODUCTS MODEL CODES

FAF7251	SURFACE BOX
FAF7250	TELESCOPIC TYPE EXTENSION SPINDLE
FAF7250R	RIGID TYPE EXTENSION SPINDLE
FAF7250T	T-KEY



# EXTENSION SPINDLE & SURFACE BOX SET FAF7250

7250



NO	ITEM	MATERIALS
1	KEY ADAPTOR	1.4021 - AISI 420 STAINLESS STEEL
2	LOCKNUT	DIN 933
3	STEM	EPDM
4	UPSIDE COVER	DIN 934
5	STEM ADAPTOR	EN-GJS-400 / DUCTILE IRON
6	DAUMSIDE ADAPTOR	PE 100
7	COVER	EN-GJS-400 / DUCTILE IRON
8	BODY	EN-GJS-400 / DUCTILE IRON
9	PIN	ST-37 STEEL

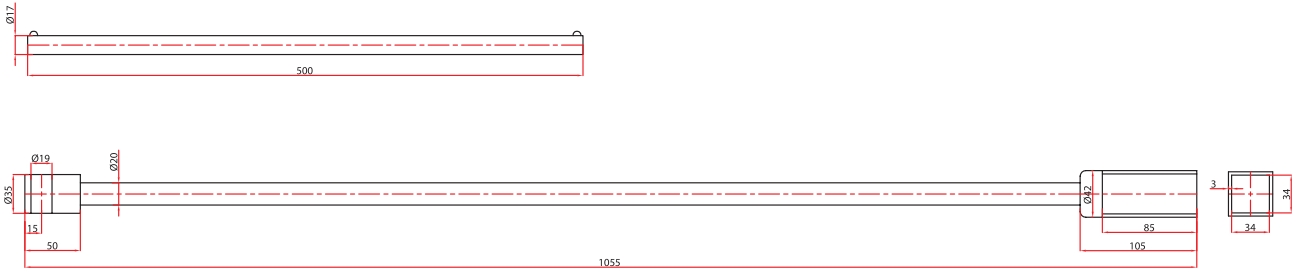
VALVE STEM (H)	
DIAMETER (DN)	LENGTH
40 - 50 mm	450 - 700 mm
65 - 80 mm	
100 - 125 - 150 mm	650 - 1100 mm
200 mm	
250 - 300 mm	1050 - 1750 mm

KEY ADAPTER	
F3	23 ±2 mm
F4	32 ±2 mm

	BIG	SMALL
A	182	170
B	242	178
C	259	206

# EXTENSION SPINDLE & SURFACE BOX SET FAF7250

## FAF7250R Rigid Type Extension Spindle Technical Drawing



Weight 3,90 kg