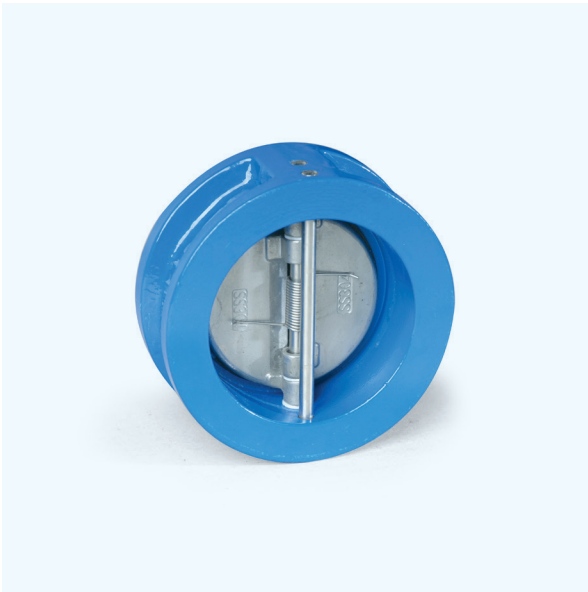


DUAL CHECK VALVE

2350

2350



Features

- The body and the disc when the determined flow in the system starts.
- The disc hinged on the body is placed within the flow section.
- Halves stainless steel disc, which are positioned in the body seats on sealing EPDM gaskets and provides 100% tight sealing.
- Expanders shorten and halves discs lap and let to flow between the body and the disc when the determined flow in the system starts.
- With the start of movement at defined flow direction on the system, the disc leaves the flow section by turning in its axis and allows the flow pass.
- When the flow stops, the disc sits on the EPDM sealing rings placed on the body through disc spring force and maintains 100% tight sealing.
- Deigned to maintain the minimum head loss on the pipeline.
- Through its short installation length and eye screw (hook), easy to install between two flanges.
- A partially open disc creates an obstruction that produces a higher pressure drop and fluttering of the valve disc - disturbing the flow and increasing the chance of water hammer.
- Constructed with stainless steel disc.
- Can be installed in horizontal or vertical position
- No maintenance needed.

Temperature

- +130 °C

PRODUCTION STANDARDS

DN25 → DN400

PN 16

Design	EN 12334
Connection	Wafer Type EN 1092-1 / ISO 7005-2
Face to Face	EN 558 Series 16
Marking	EN 19
Tests	EN 12266-1
Coating	Electrostatic Powder Epoxy

Product Description

FAF2350 Dual Check Valve let to fluids in the facility required downstream and ceases the flow in case of reverse flow.

Versions

- Standard version as stainless steel disc
- Custom production for specific orders

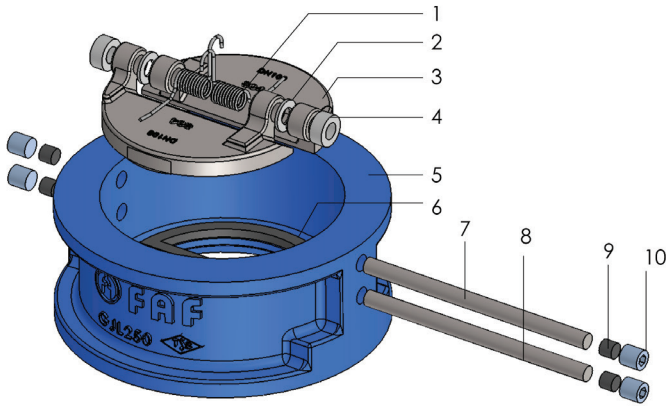
Scope of Application

- Steam
- Hot & cold water
- Power & heat engineering
- Pressurized Air
- Industrial technologies
- Fluids without acidity or alkalinity properties

DUAL CHECK VALVE

2350

2350



NO	ITEM	MATERIALS
1	SPRING	Stainless Steel 1.4301 - AISI 304
2	WASHER	PTFE
3	DISC	Stainless Steel 1.4301 - AISI 304
4	WASHER	PTFE
5	BODY	EN GJL 250 Cast Iron / GG25
6	DISC GASKET	EPDM
7	END SHAFT	Stainless Steel 1.4021 - AISI 420
8	DISC SHAFT	Stainless Steel 1.4021 - AISI 420
9	GASKET	EPDM
10	SETSCREW	Stainless Steel

PRODUCTS MODEL CODES

FAF2300	WAFER CHECK VALVE - STAINLESS STEEL
FAF2330	WAFER CHECK VALVE - CARBON STEEL
FAF2340	CHECK VALVE - FORGED
FAF2350	DUAL CHECK VALVE - STAINLESS STEEL
FAF2355	DUAL CHECK VALVE - NICKEL
FAF2370	WAFER CHECK VALVE - CARBON STEEL
FAF2371	WAFER CHECK VALVE - CARBON STEEL

VALVE TEST PRESSURE (Bar)

MAX. OPERATING PRESSURE	BODY / SHELL TEST	SEAT TEST
16	24	17,6

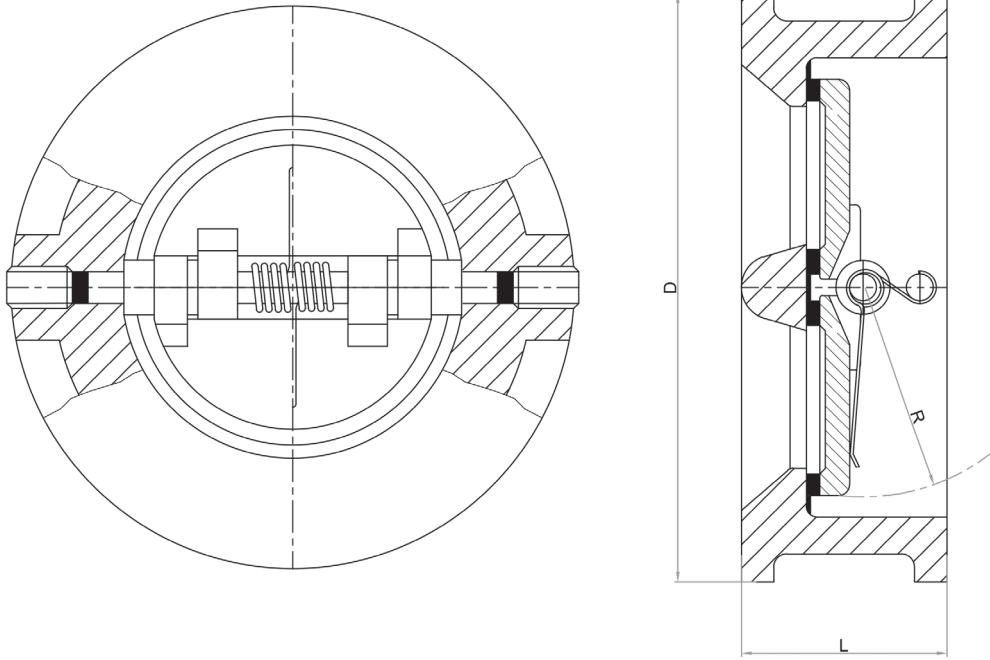
100% of the valves are subjected to hydrostatic tests at FAF facilities.

Note

- For proper use and safety precautions please follow the installation and operating instructions.

DUAL CHECK VALVE 2350

Technical Details & Drawing, Dimensions



DN	DIMENSION				RATINGS		STUD SIZE	BOLT/NUT QTY	NUT	
	mm	D	L	D1	R	KV m ³ /h			Weight Kg	FASTENING MOMENT Nm
40	92	33	37	23	30	1,1	M16X100	4	205	24
50	107	43	40	27	45	1,7	M16X110	4	205	24
65	127	46	60	35	70	2,3	M16X120	4	205	24
80	142	64	70	42	120	3,6	M16X140	8	205	24
100	162	64	88	50	240	4,4	M16X140	8	205	24
125	192	70	115	64	350	6,4	M16X150	8	205	24
150	218	76	134	77	650	9,1	M20X160	8	400	30
200	273	89	182	102,5	1300	14,1	M20X170	12	400	30
250	328	114	220	125	2100	26,6	M24X210	12	691	36
300	378	114	260	146	3500	36,1	M24X210	12	691	36
350	437	127	298	170	5000	50	M24X230	16	691	36
400	488	140	350	195	8000	59,7	M27X250	16	1010	41